

WHEEL STOPPER



CONCRETE WORKS



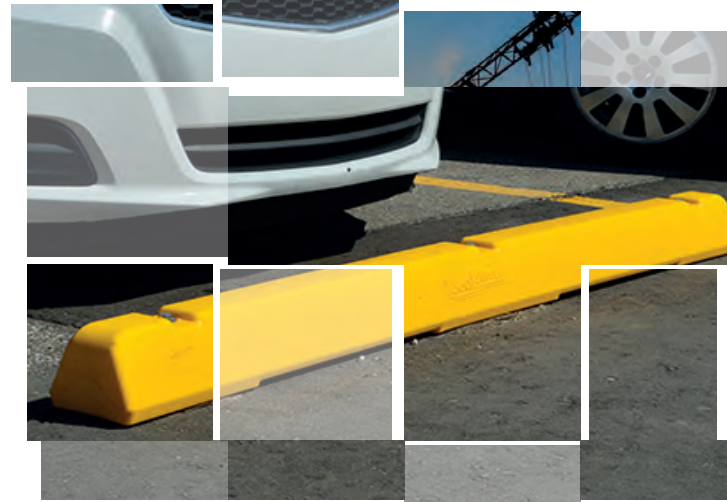
CONCRETE WORKS

CONCRETE WHEEL STOPPER

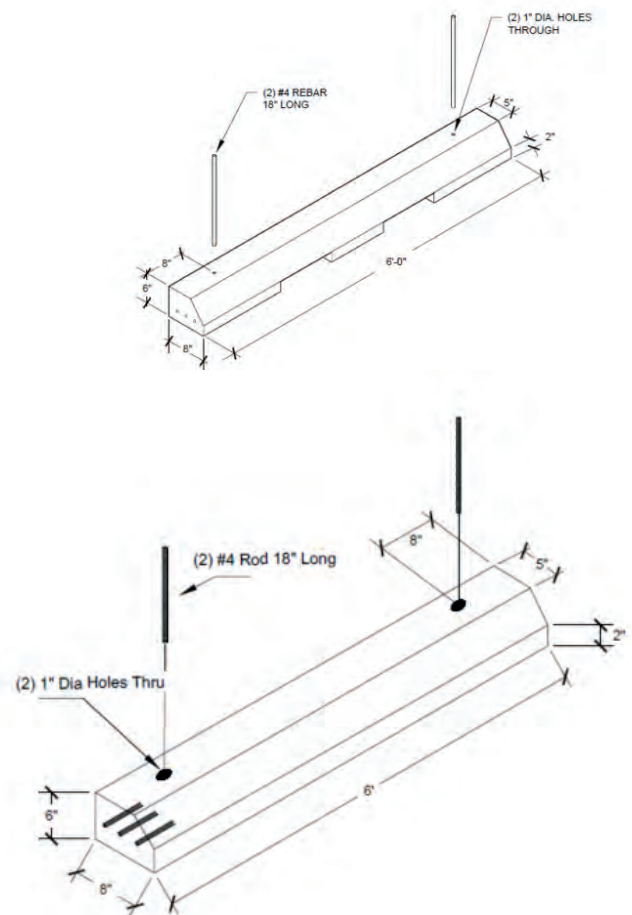
BEAM produces some of the most effective concrete wheel stops in UAE.

WHEEL STOPPER also known as precast concrete parking curbs, wheel stops are used to keep vehicles within specified parking areas and protect surrounding property. Ideal for use in indoor or outdoor car parks, multi-storey car parks and home garages.

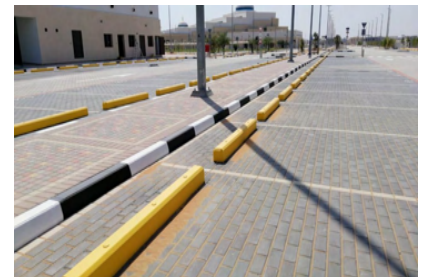
Concrete wheel stops are a precast concrete block constructed to act as a wheel bump stop. Zamac Precast supply different types of precast concrete wheel stops for varying purposes.

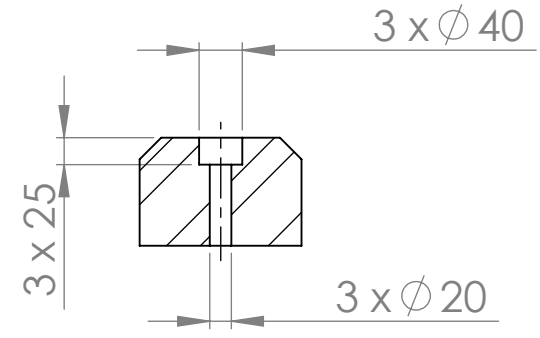
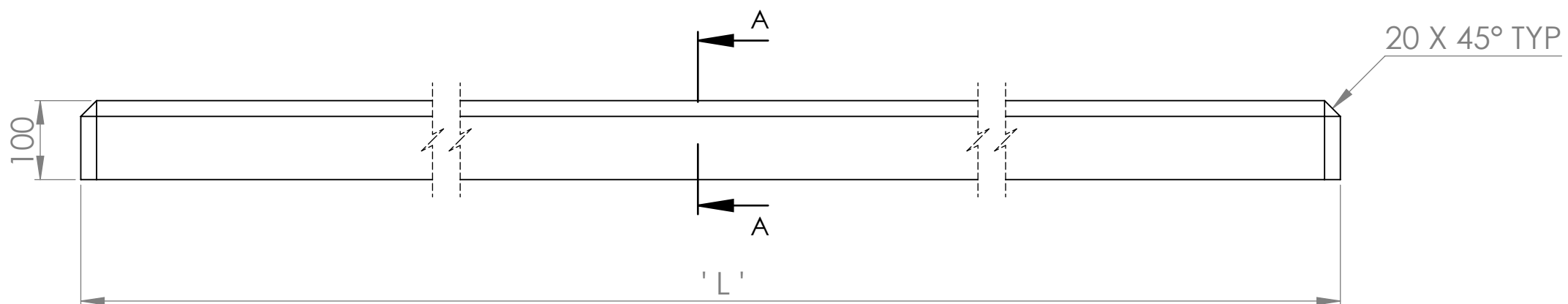
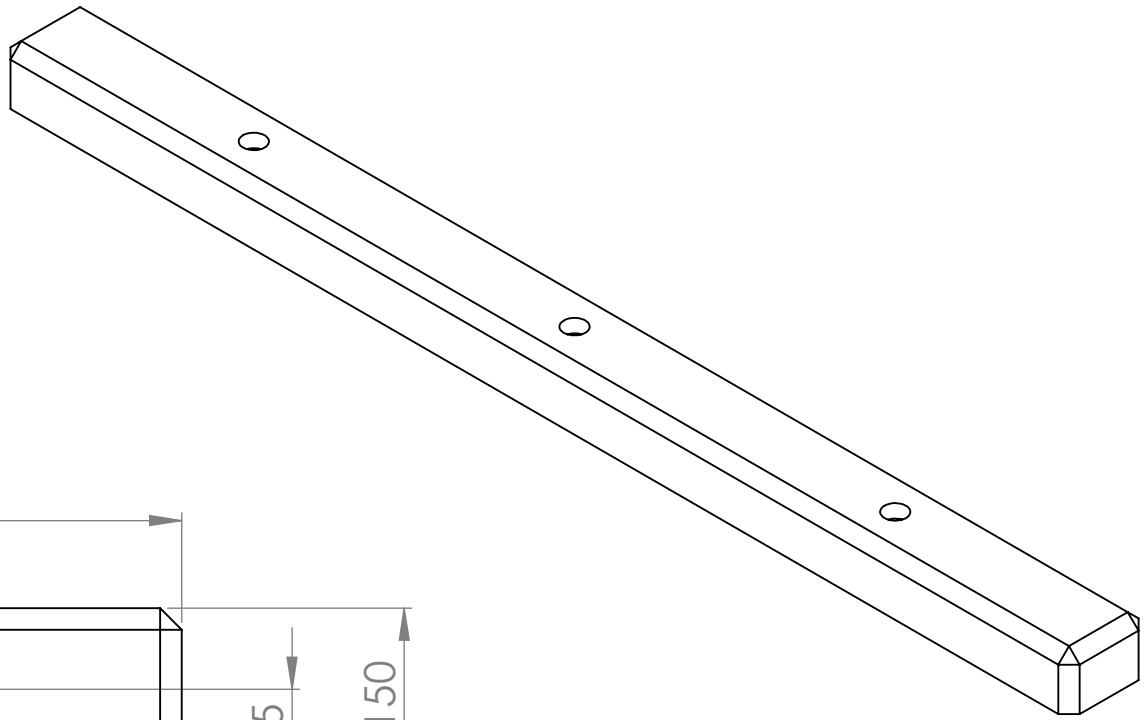
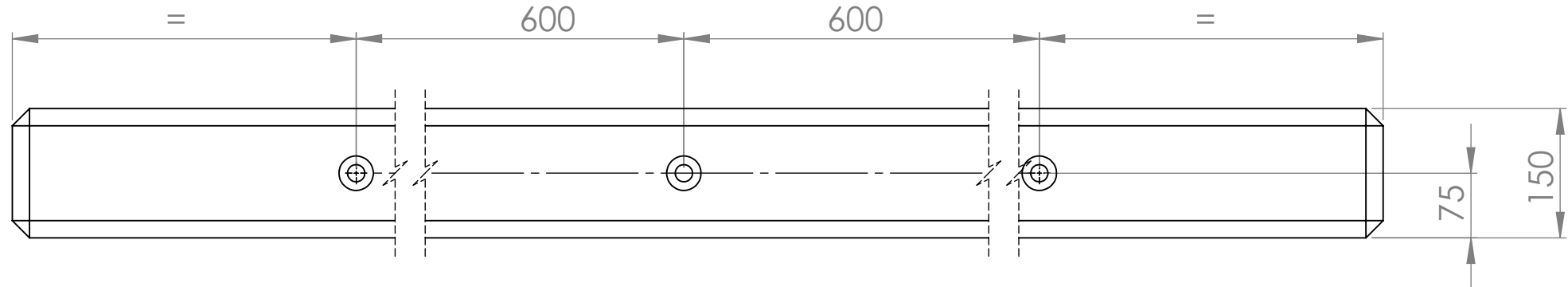
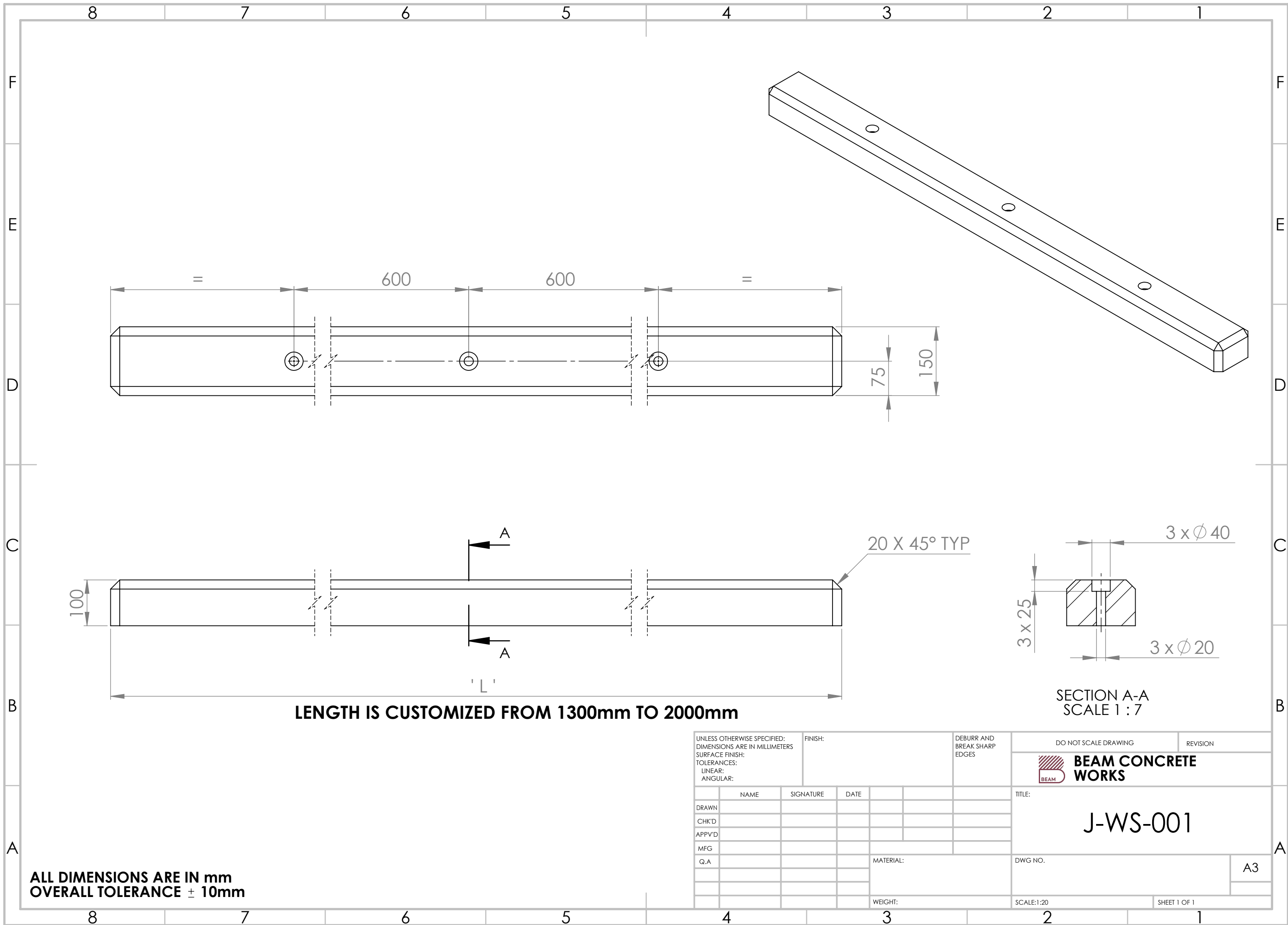


No.	Length in mm.	Width in mm.	Height in mm.
1	2000(any size of length)	150	100
2	2000(any size of length)	150	140
3	2400(any size of length)	150	140
4	1800	150	120
5	1700	155	95
6	920	150	140
7	920	150	120
8	915	150	100
9	920	150	140
10	600	150	140
11	400	150	140
12	2000	200	100
13	2000	200	120
14	2000	200	140
15	2000	200	150
16	2000	250	120
17	1800	250	100
18	2000(any size of length)	250	140
19	2000(any size of length)	250	150
20	2000(any size of length)	225	150
21	2000(any size of length)	210	150
22	2000(any size of length)	300	120



WHEEL STOPPER

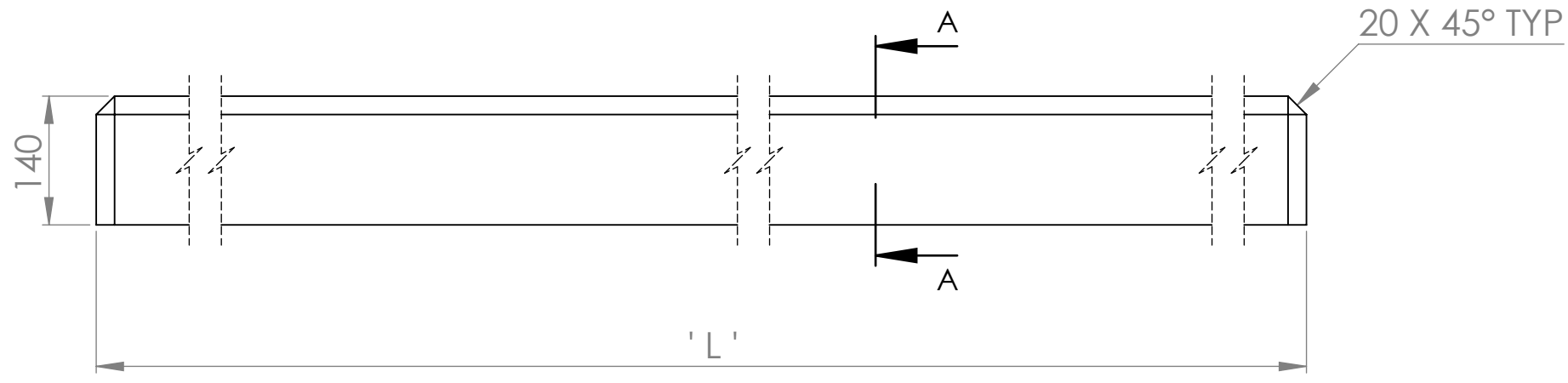
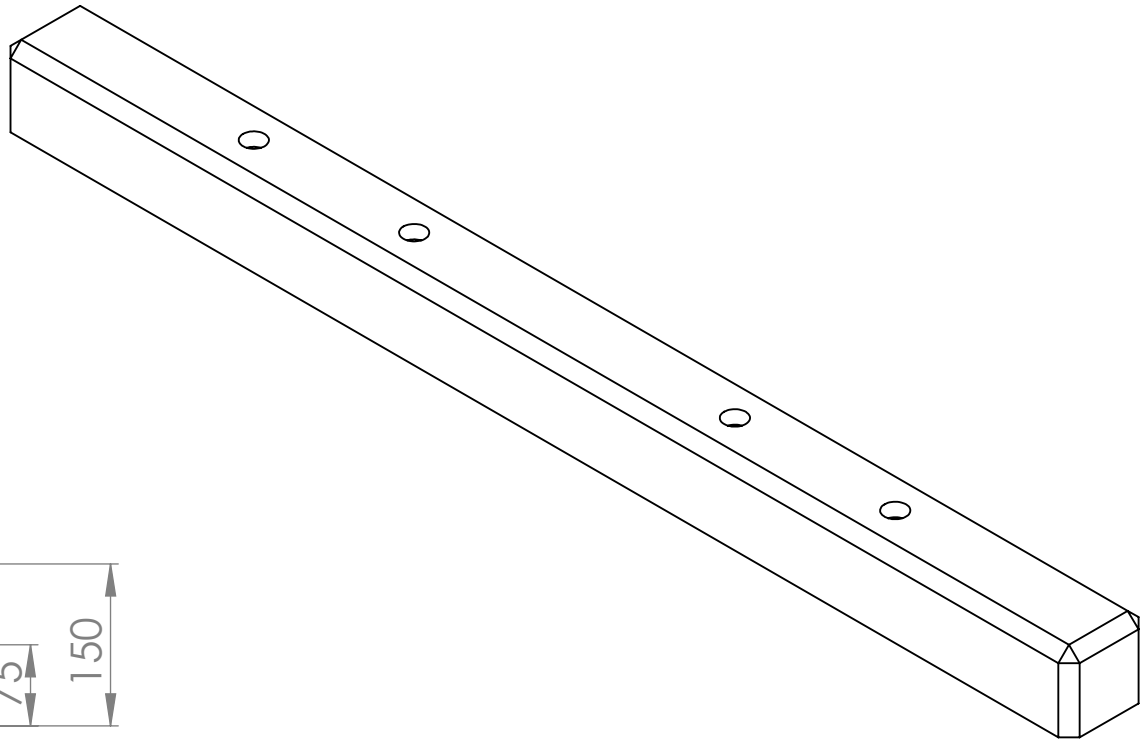
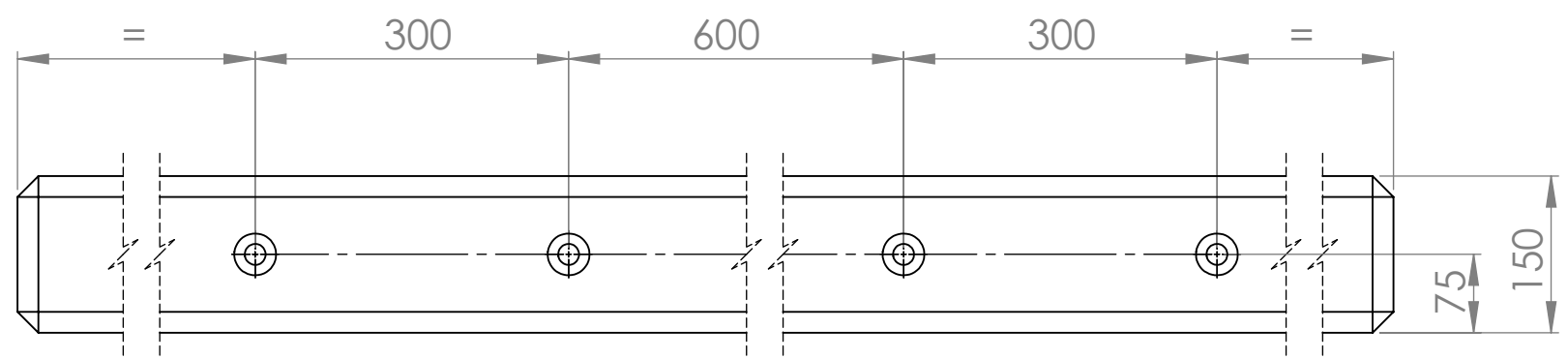




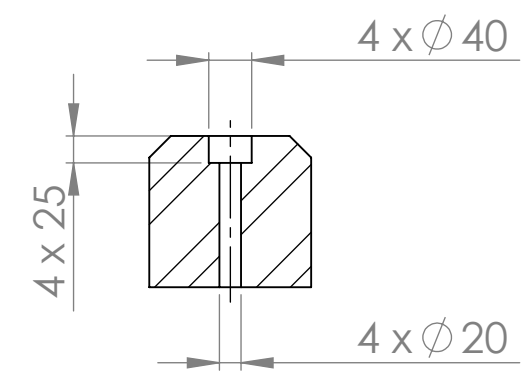
LENGTH IS CUSTOMIZED FROM 1300mm TO 2000mm

**ALL DIMENSIONS ARE IN mm
OVERALL TOLERANCE ± 10mm**

UNLESS OTHERWISE SPECIFIED: DIMENSIONS ARE IN MILLIMETERS SURFACE FINISH: TOLERANCES: LINEAR: ANGULAR:			FINISH:		DEBURR AND BREAK SHARP EDGES		DO NOT SCALE DRAWING		REVISION	
									TITLE:	
DRAWN			NAME		SIGNATURE		DATE		<p style="font-size: 2em; text-align: center;">J-WS-001</p>	
CHK'D									DWG NO.	
APPV'D									A3	
MFG									SCALE:1:20	
Q.A							MATERIAL:		SHEET 1 OF 1	
							WEIGHT:			



LENGTH IS CUSTOMIZED FROM 1300mm TO 2000mm



SECTION A-A
SCALE 1 : 7

**ALL DIMENSIONS ARE IN mm
OVERALL TOLERANCE ± 10mm**

UNLESS OTHERWISE SPECIFIED: DIMENSIONS ARE IN MILLIMETERS				FINISH:		DEBURR AND BREAK SHARP EDGES		DO NOT SCALE DRAWING		REVISION	
SURFACE FINISH:										J-WS-002	
TOLERANCES: LINEAR: ANGULAR:											
DRAWN	NAME	SIGNATURE	DATE					TITLE:		A3	
CHK'D								DWG NO.		SHEET 1 OF 1	
APPV'D								SCALE: 1:20			
MFG								WEIGHT:			
Q.A											

8 7 6 5 4 3 2 1

F F

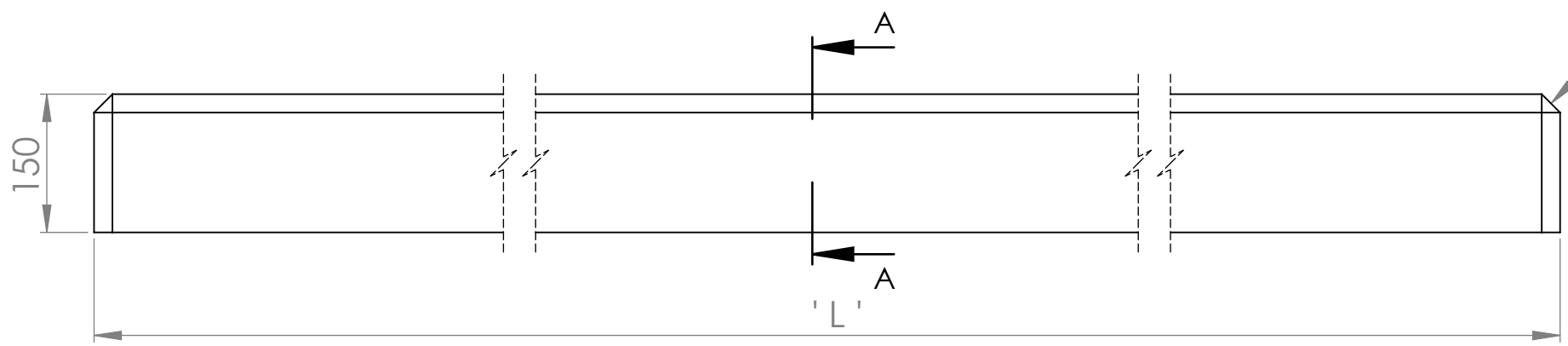
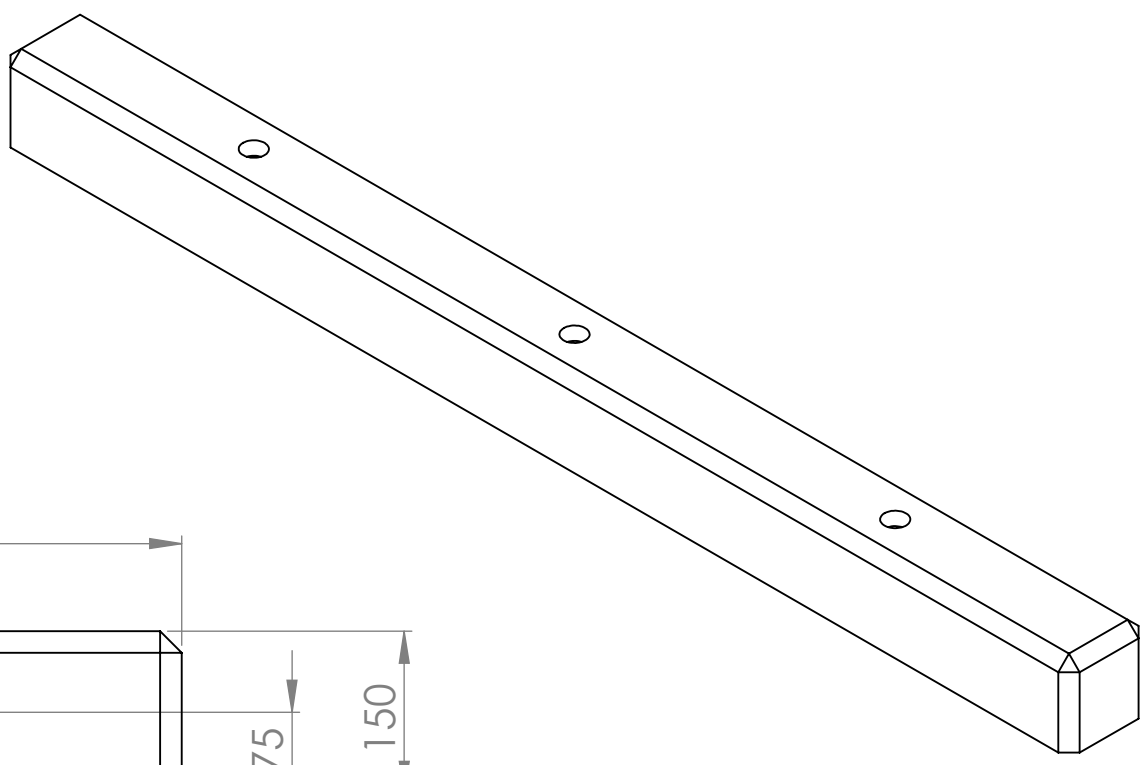
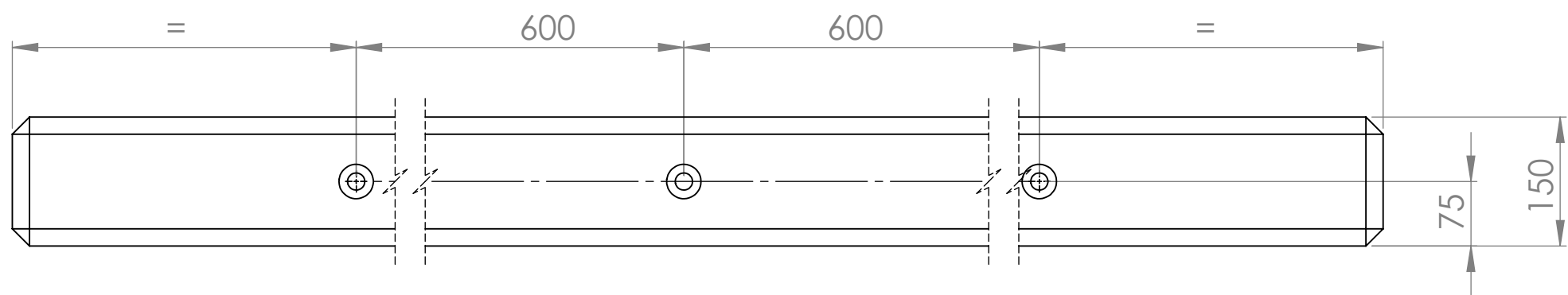
E E

D D

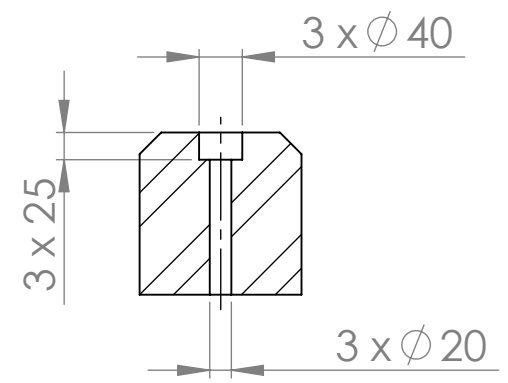
C C

B B

A A



20 X 45° TYP



SECTION A-A
SCALE 1 : 7

LENGTH IS CUSTOMIZED FROM 1300mm TO 2000mm

**ALL DIMENSIONS ARE IN mm
OVERALL TOLERANCE ± 10mm**

UNLESS OTHERWISE SPECIFIED: DIMENSIONS ARE IN MILLIMETERS SURFACE FINISH: TOLERANCES: LINEAR: ANGULAR:			FINISH:		DEBURR AND BREAK SHARP EDGES		DO NOT SCALE DRAWING		REVISION		
									TITLE:		
							J-WS-003		DWG NO.		
							SCALE: 1:20		SHEET 1 OF 1		
DRAWN		NAME		SIGNATURE		DATE		A3			
CHK'D											
APPV'D											
MFG											
Q.A											
							MATERIAL:				
							WEIGHT:				

8 7 6 5 4 3 2 1

F F

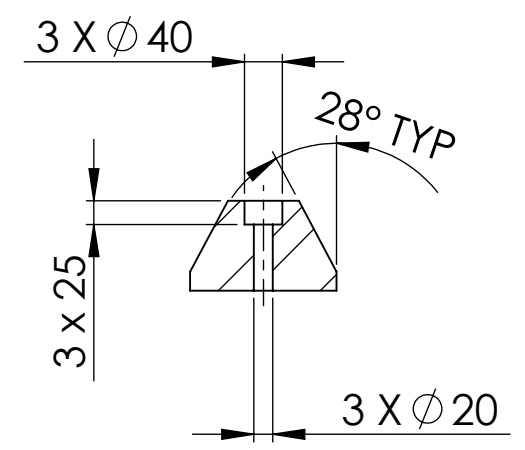
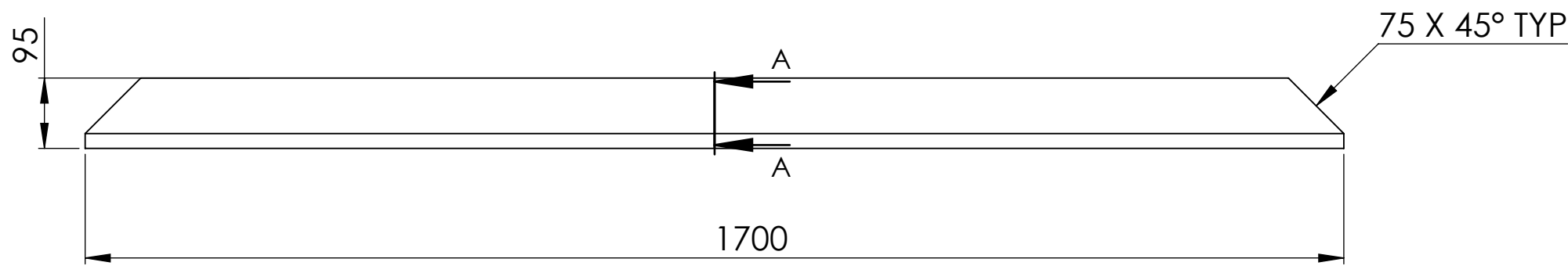
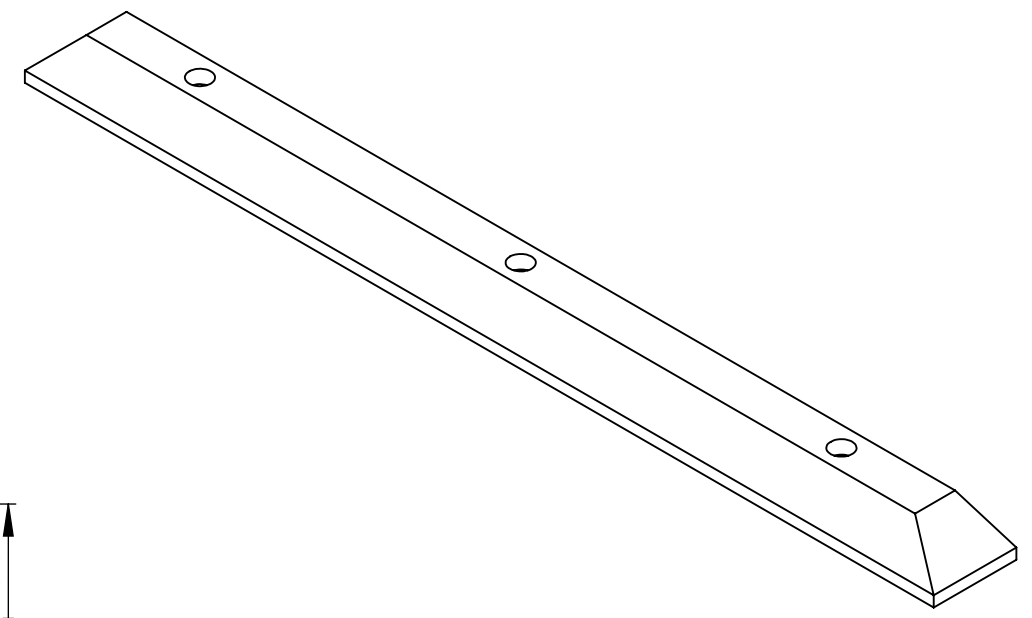
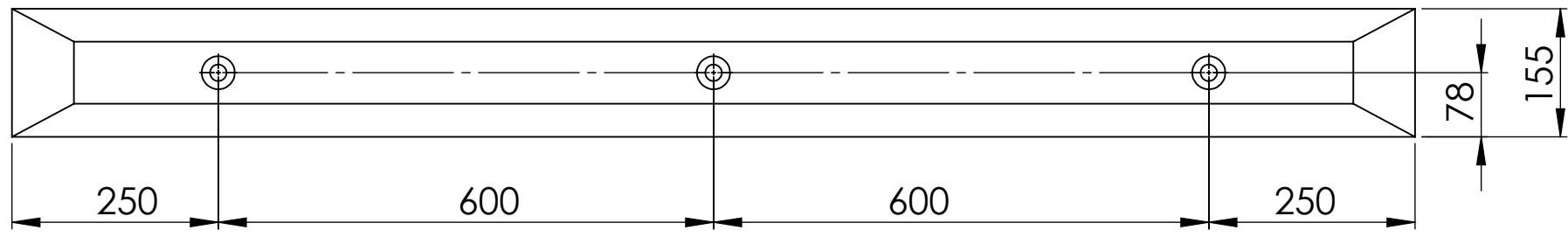
E E

D D

C C

B B

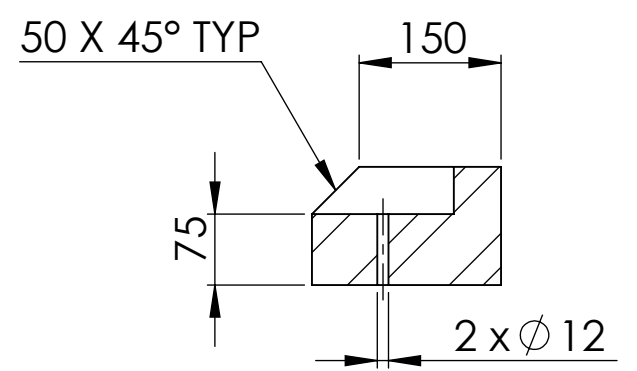
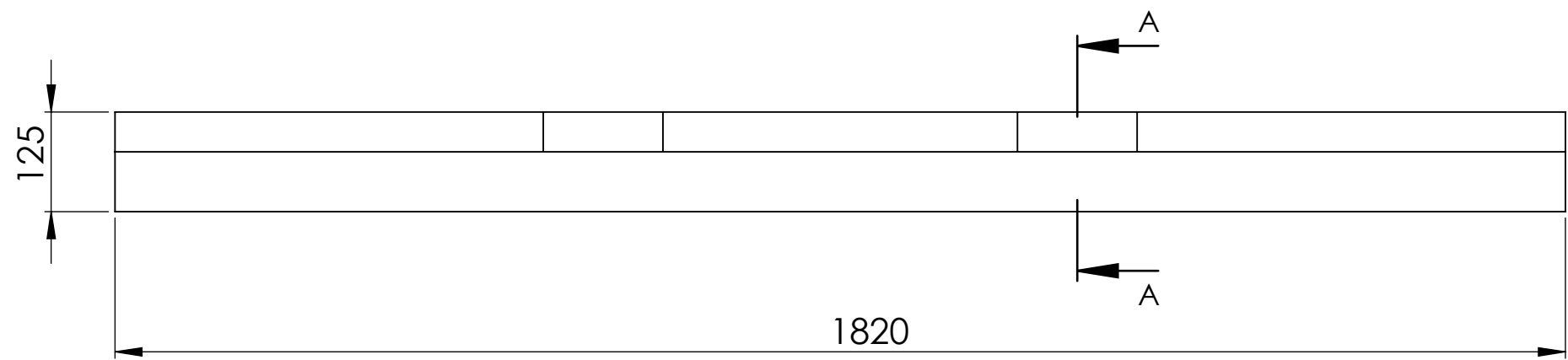
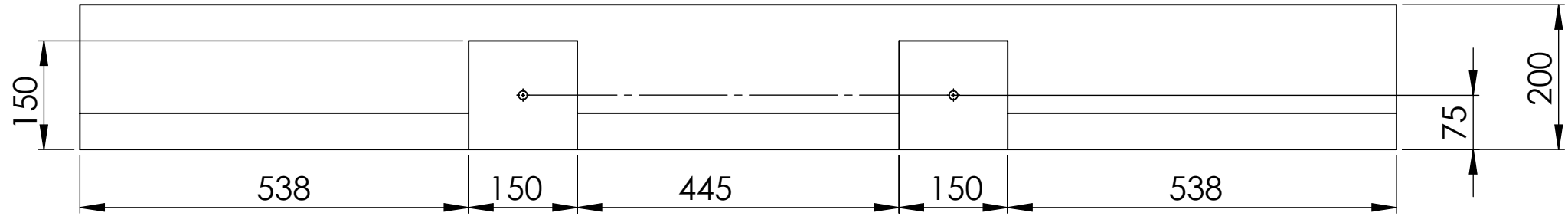
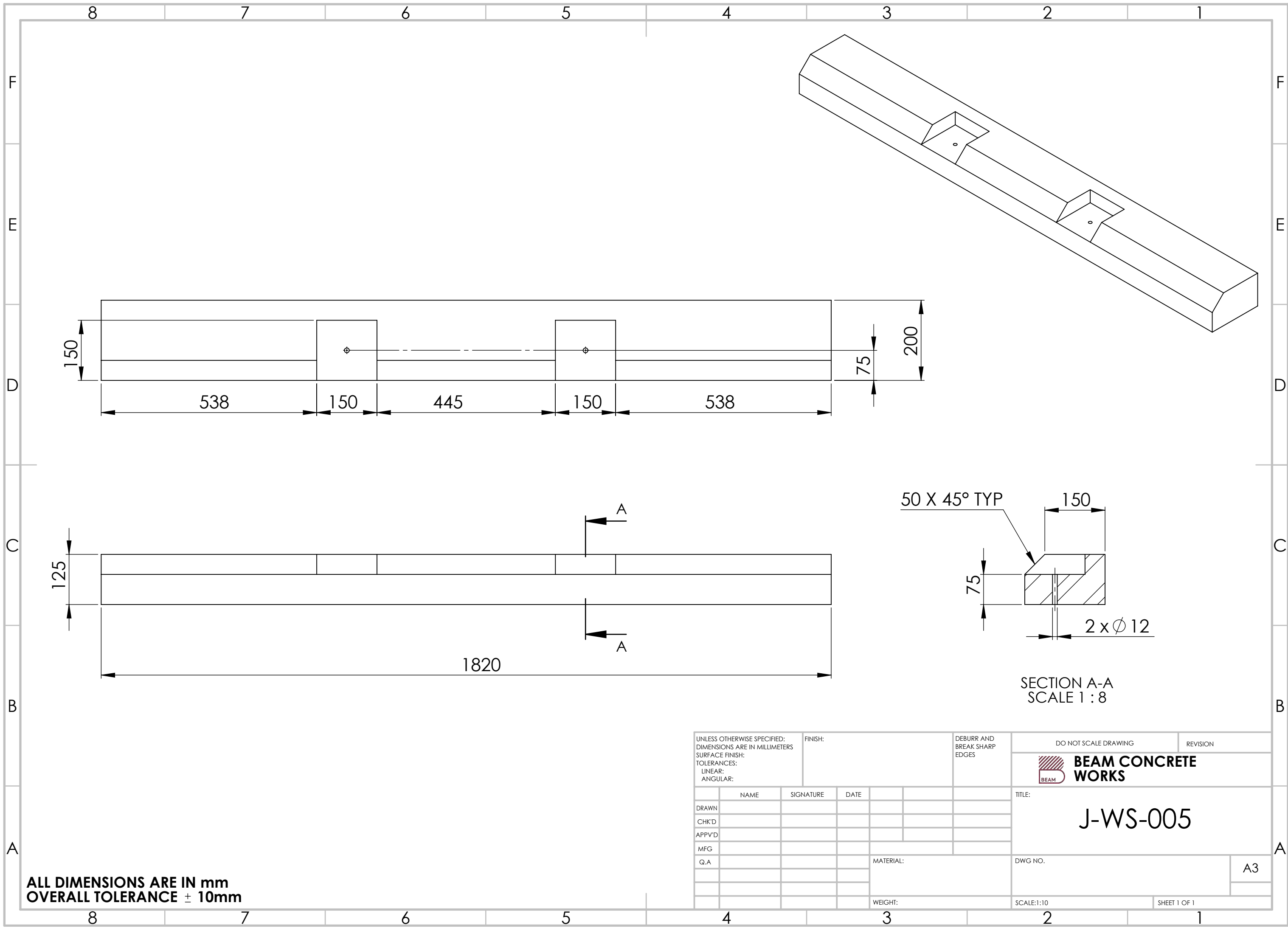
A A



SECTION A-A
SCALE 1 : 8

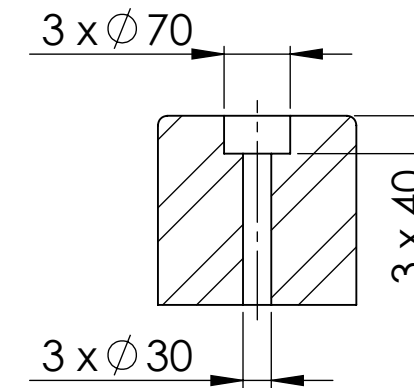
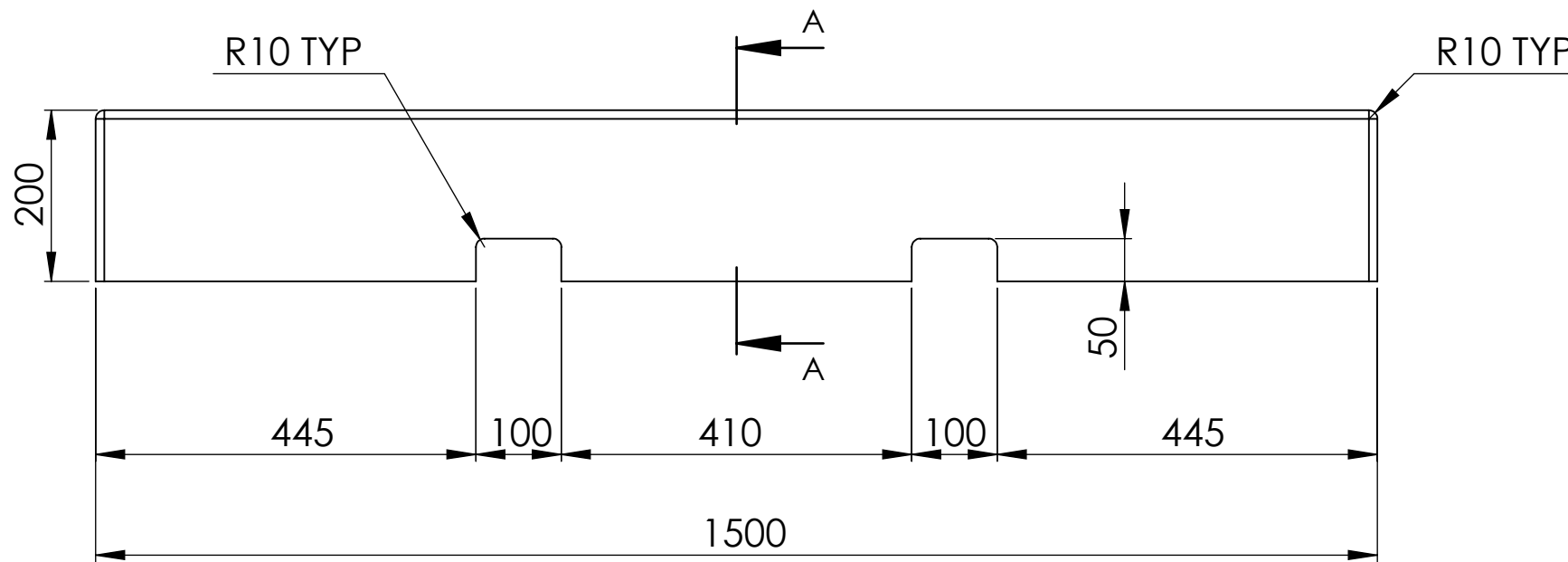
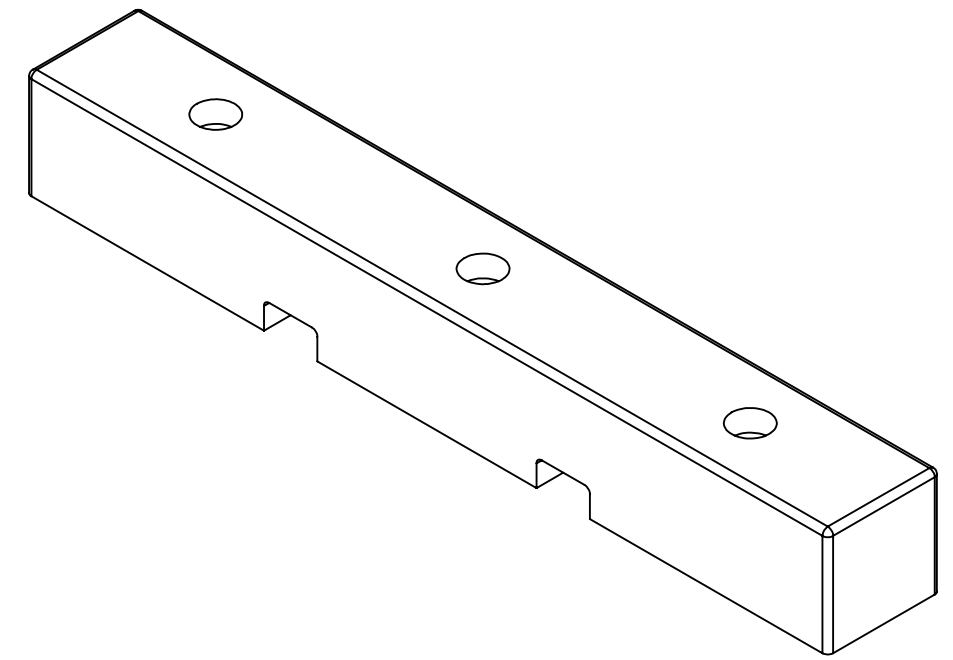
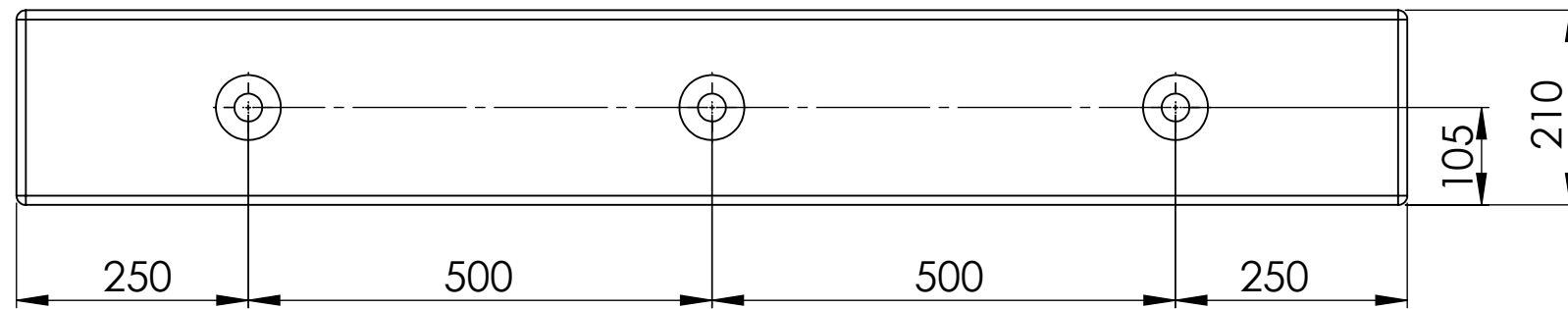
ALL DIMENSIONS ARE IN mm
OVERALL TOLERANCE ± 10mm

UNLESS OTHERWISE SPECIFIED: DIMENSIONS ARE IN MILLIMETERS SURFACE FINISH: TOLERANCES: LINEAR: ANGULAR:			FINISH:		DEBURR AND BREAK SHARP EDGES		DO NOT SCALE DRAWING		REVISION		
DRAWN			NAME		SIGNATURE		DATE		TITLE: J-WS-004		
CHK'D									DWG NO.		
APPV'D									A3		
MFG									SCALE:1:10		
Q.A									SHEET 1 OF 1		
									WEIGHT:		




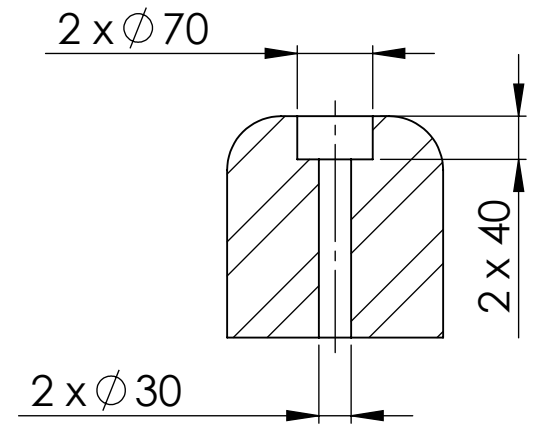
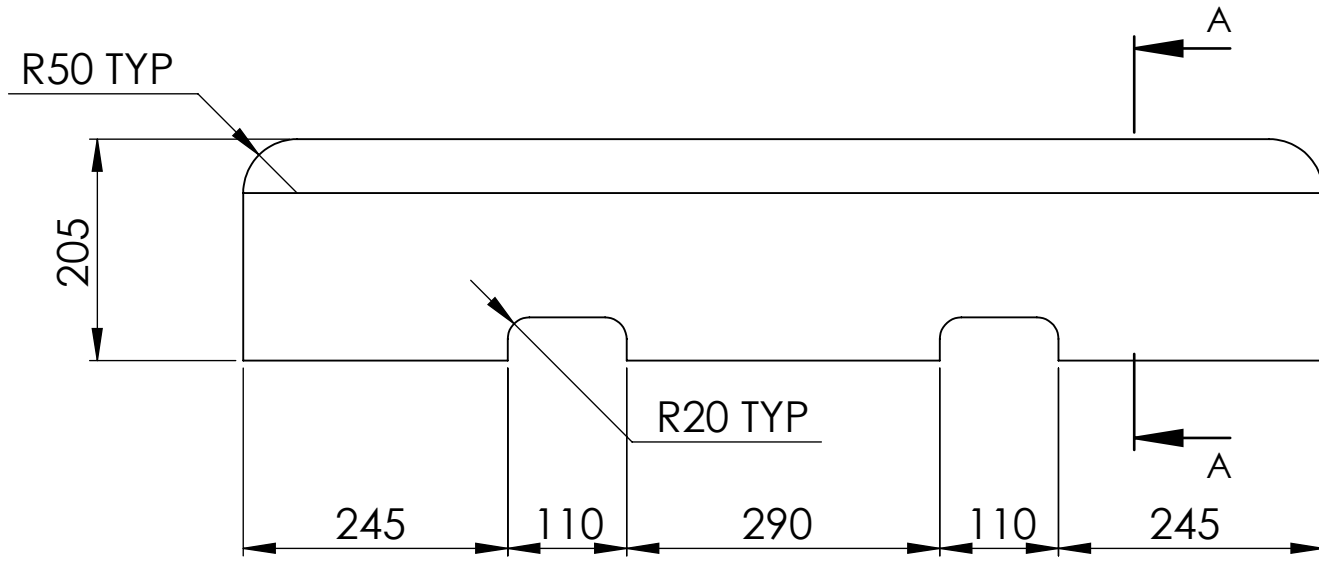
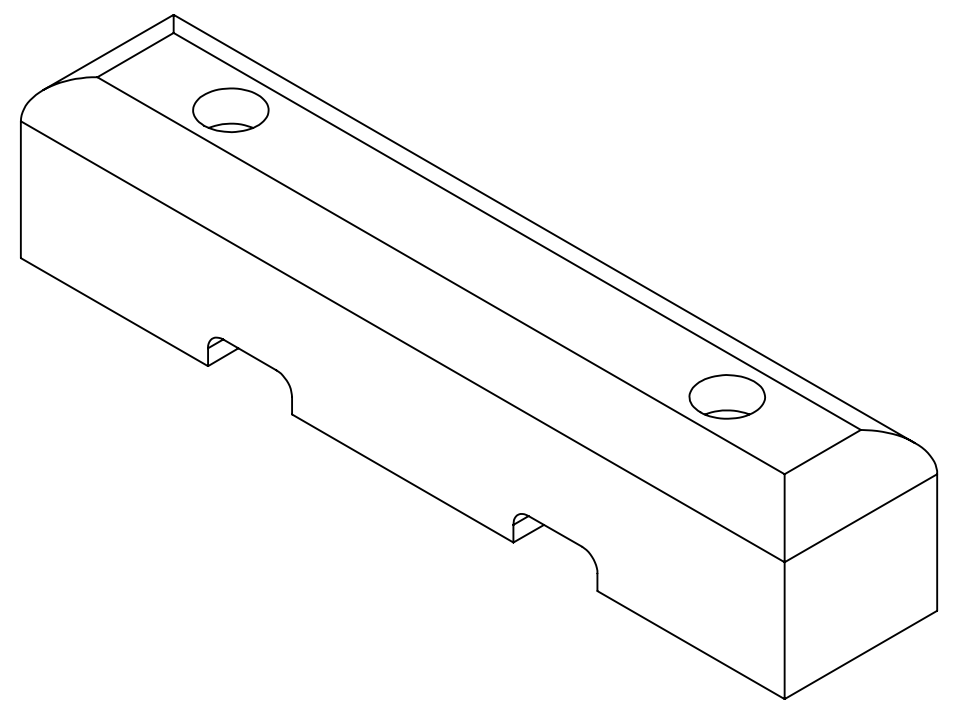
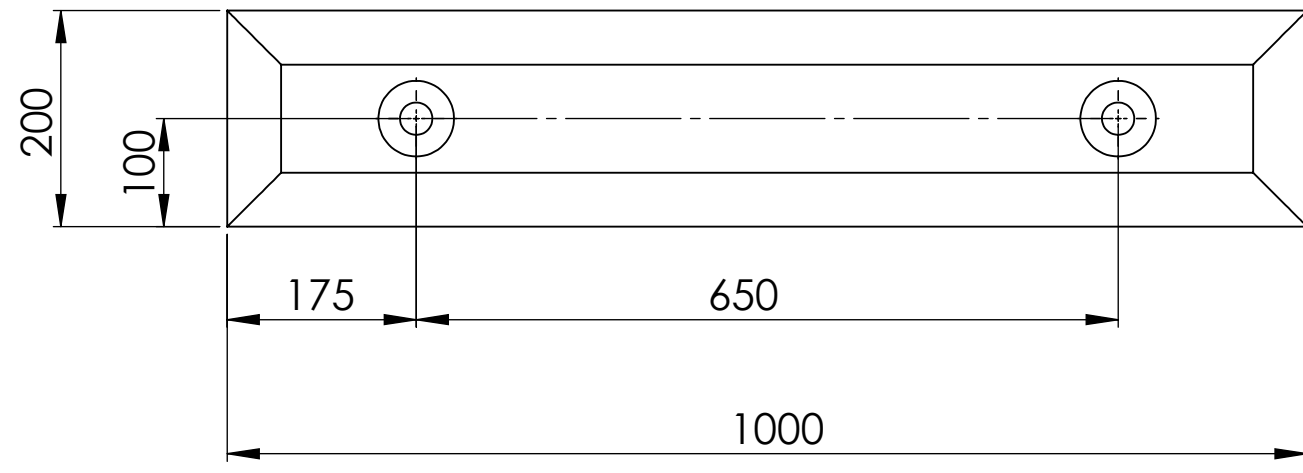
ALL DIMENSIONS ARE IN mm
OVERALL TOLERANCE ± 10mm

UNLESS OTHERWISE SPECIFIED: DIMENSIONS ARE IN MILLIMETERS SURFACE FINISH: TOLERANCES: LINEAR: ANGULAR:			FINISH:		DEBURR AND BREAK SHARP EDGES		DO NOT SCALE DRAWING		REVISION			
							TITLE: J-WS-005					
							DWG NO.		A3			
							WEIGHT:		SCALE:1:10		SHEET 1 OF 1	
DRAWN		NAME		SIGNATURE		DATE						
CHK'D												
APPV'D												
MFG												
Q.A												



ALL DIMENSIONS ARE IN mm
OVERALL TOLERANCE ± 10 mm

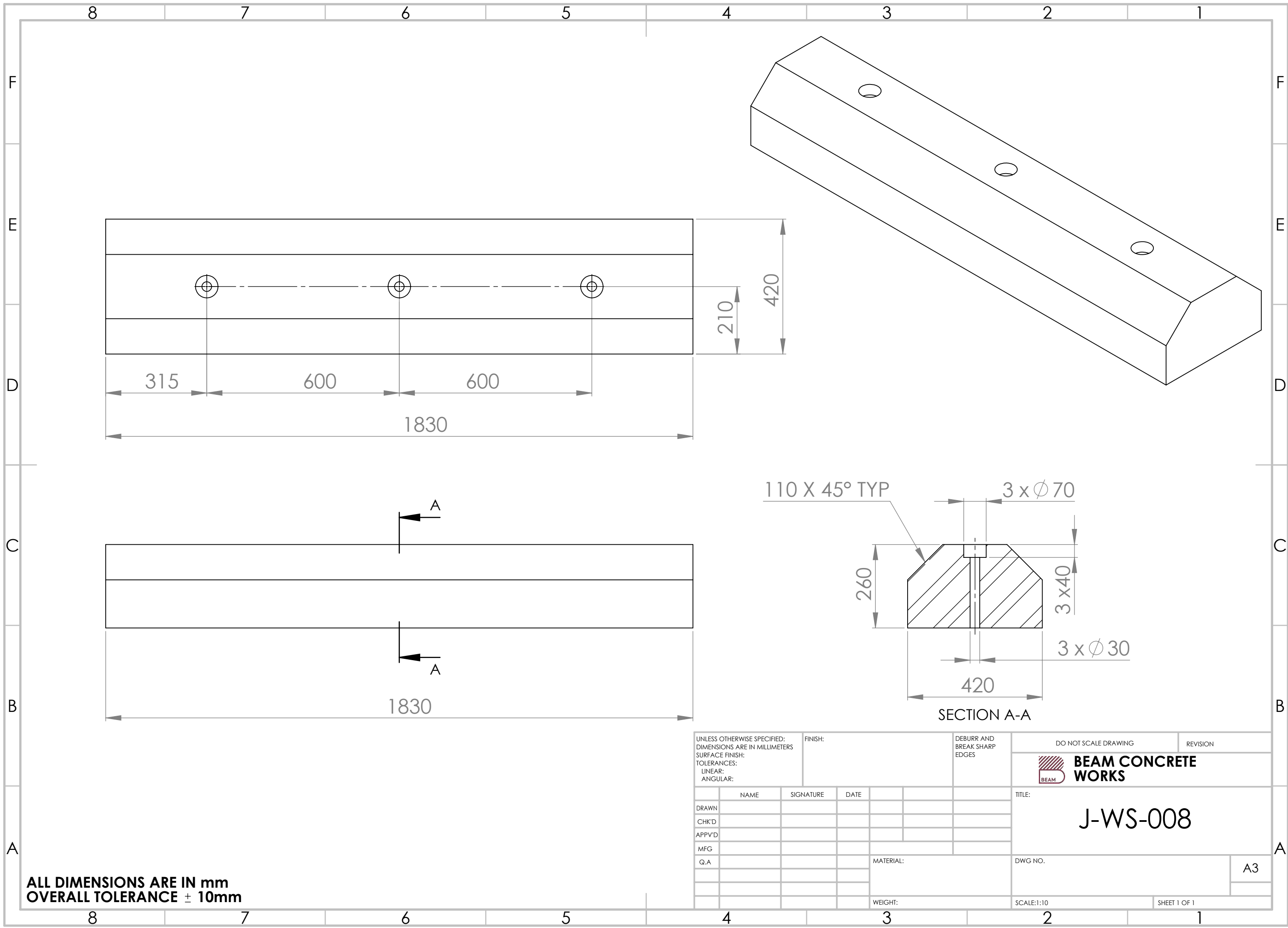
UNLESS OTHERWISE SPECIFIED: DIMENSIONS ARE IN MILLIMETERS		FINISH:		DEBURR AND BREAK SHARP EDGES		DO NOT SCALE DRAWING		REVISION	
SURFACE FINISH:						 BEAM CONCRETE WORKS			
TOLERANCES:						TITLE:			
LINEAR:						J-WS-006			
ANGULAR:						DWG NO.		A3	
NAME	SIGNATURE	DATE				SCALE: 1:10		SHEET 1 OF 1	
DRAWN									
CHK'D									
APPV'D									
MFG									
Q.A					MATERIAL:				
					WEIGHT:				




SECTION A-A
SCALE 1 : 7

ALL DIMENSIONS ARE IN mm
OVERALL TOLERANCE ± 10mm

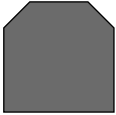
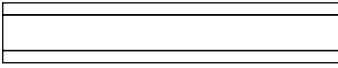

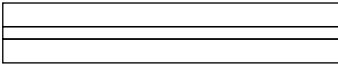
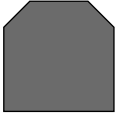

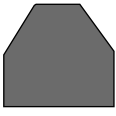
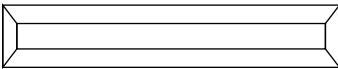

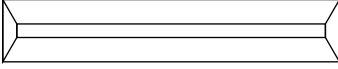
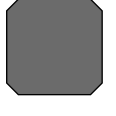
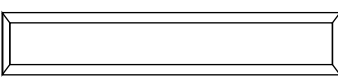
UNLESS OTHERWISE SPECIFIED: DIMENSIONS ARE IN MILLIMETERS SURFACE FINISH: TOLERANCES: LINEAR: ANGULAR:			FINISH:		DEBURR AND BREAK SHARP EDGES		DO NOT SCALE DRAWING		REVISION		
									TITLE:		
							J-WS-007		DWG NO.		
							SCALE:1:10		SHEET 1 OF 1		
DRAWN		NAME		SIGNATURE		DATE		A3			
CHK'D											
APPV'D											
MFG											
Q.A						MATERIAL:					
						WEIGHT:					

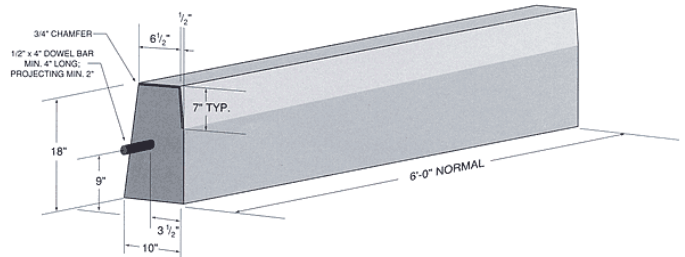
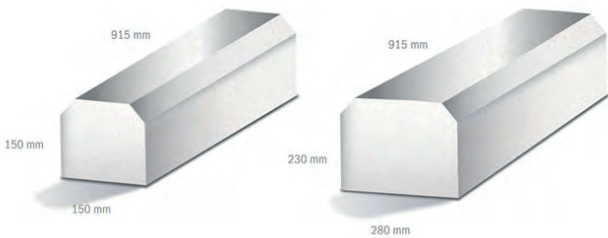


ALL DIMENSIONS ARE IN mm
 OVERALL TOLERANCE ± 10 mm

UNLESS OTHERWISE SPECIFIED: DIMENSIONS ARE IN MILLIMETERS			FINISH:		DEBURR AND BREAK SHARP EDGES		DO NOT SCALE DRAWING		REVISION		
SURFACE FINISH:							 BEAM CONCRETE WORKS		TITLE: <h1>J-WS-008</h1>		
TOLERANCES: LINEAR: ANGULAR:											DWG NO.
DRAWN		NAME		SIGNATURE		DATE		MATERIAL:		SCALE:1:10	
CHK'D								WEIGHT:		SHEET 1 OF 1	
APPV'D											
MFG											
Q.A											

WHEEL STOPPER DETAILS

Item No.	Description	Section	Plan	Length (mm)	width (mm)	Height (mm)
1	WHEEL STOPER			1530	400	260
2	WHEEL STOPER			1500	200	100
3	WHEEL STOPER			1900	400	205
4	WHEEL STOPER			2000	150	100
5	WHEEL STOPER			1700	100	100
6	WHEEL STOPER			210	150	150



Leading Precast Concrete Wheel Stops Manufacturer

Do you want to keep your parking lot and garage safe? Do your parking structures, signs, or barriers have any damage? Precast concrete wheel stoppers from Beamconcretework can put an end to your woes. we've been committed to providing our customers with the highest levels of customer care and long-lasting, high-quality products. Wheel stops, parking blocks, and precast concrete curbs are available in a variety of sizes, shapes, and colors to meet the needs of a variety of customers.

Sky Is the Limit

There's no limit to what Beamconcretework can do when it comes to wheel stoppers. In order to keep automobiles and their surroundings safe while parking, our car and truck stops are used all across the country. It's possible to use our variety of parking lot stops and bumpers in driveways, garages, and many other places.

We Make Customized Precast Concrete Wheel Stoppers

It is our goal at Beamconcretework to provide our customers with fast and accurate estimates and high-quality finished concrete products. Our goal is to establish and maintain long-term business ties with our customers by providing them with A-grade precast concrete services and products. We want to be your one-stop shop for precast concrete, and we look forward to meeting and exceeding your expectations.

Best Concrete Parking Wheel Stoppers for Your Cars and Trucks

Whether you own a car or truck, we will manufacture and deliver perfectly finished precast concrete stoppers according to your needs. Our wheel stoppers pass the quality standards both locally and internationally and are carefully manufactured to ensure their durability.

What Makes Us #1 Choice For Wheel Stoppers In UAE

- We use a unique method for settling vibrations.
- Epoxy applications can be done on a smooth surface.
- Reinforcement ties for steel rebar
- Accurately calibrated holes for anchor pins
- Conveniently sized commercial parking lot bumpers
- Truck stops for 18-wheelers in industrial areas.
- 7 days of testing at a minimum PSI 3000 and 28 days of testing at a maximum PSI 4000 for the cylinder

Our Wheel Stoppers Are Extremely Durable

Our wheel stoppers are extremely long-lasting due to the materials utilized in their construction. Concrete cracks and eventually crumbles as a result of weather extremes. Precipitation corrodes the metal anchors, allowing them to come loose. Garage wheel stops should last several years before needing to be replaced, regardless of the weather.

Small cracks or cracked concrete are tell-tale symptoms of premature ageing. Before installing parking stoppers, it is always wise to apply a concrete conditioner to improve their resistance to rain, cold, and heat so they can withstand the elements more effectively. Our precast wheel stoppers will last for many years, not months!

Our Wheel Stoppers Prevent Damage To Your Parking Lot and Garage

Garage wheel stoppers are commonly purchased by businesses with parking lots, including commercial parking lots. In comparison to the expense of repairing a vehicle or property damaged in a parking mishap, our precast concrete wheel stoppers offer excellent value. Our wheel stoppers cost less than any other alternative that could save your parking lot or garage from unnecessary damage. Buying in bulk frequently results in greater discounts.

When You Should Consider Replacing Your Wheel Stoppers In Garage or Parking Lot

In order to keep parking spaces safe, worn-out or damaged garage wheel stoppers must be replaced as soon as possible. If the tapered edges are eroding, the jagged edges can pierce the rubber of the tyre causing damage to the vehicles. Due to the owner's irresponsibility, the garage could be held responsible for any damages to the automobiles. Parking wheel stoppers should always be checked for proper operation intermittently.



B E A M
CONCRETE WORKS

+971 55 7830774

INFO@BEAMCONCRETEWORKS.COM | WWW.BEAMCONCRETEWORKS.COM

EMIRATES MODERN INDUSTRIAL AREA

UMM AL QUAWAIN - U.A.E