



CONCRETE WORKS



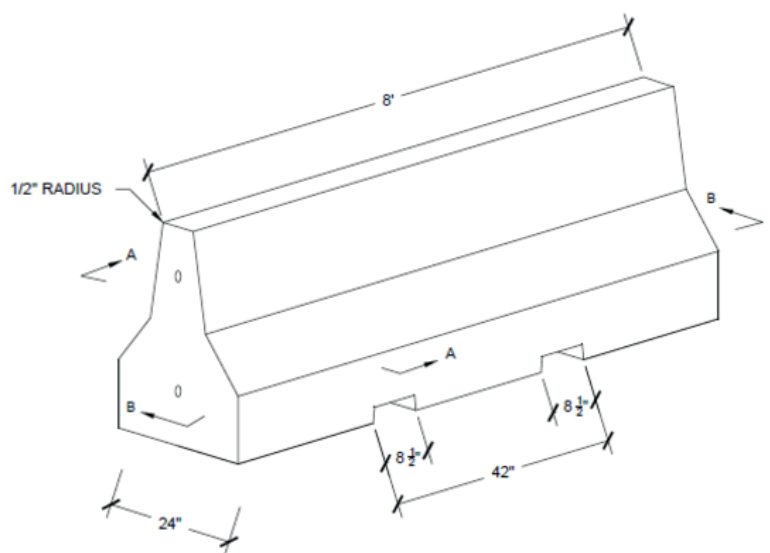
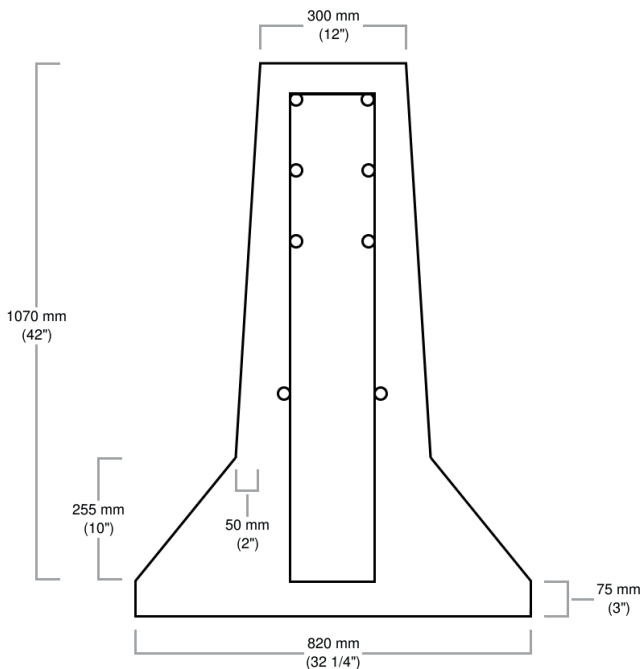
CONCRETE WORKS

CONCRETE BARRIERS

CONCRETE BARRIERS

Concrete barriers and blocks are a fast and effective way to manage traffic, preventing unauthorised access to your site and securing empty or unmonitored premises from trespassers, fly tippers, vandals and traveller invasions.

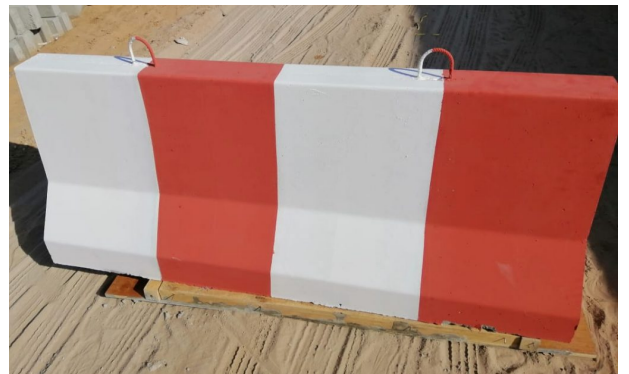
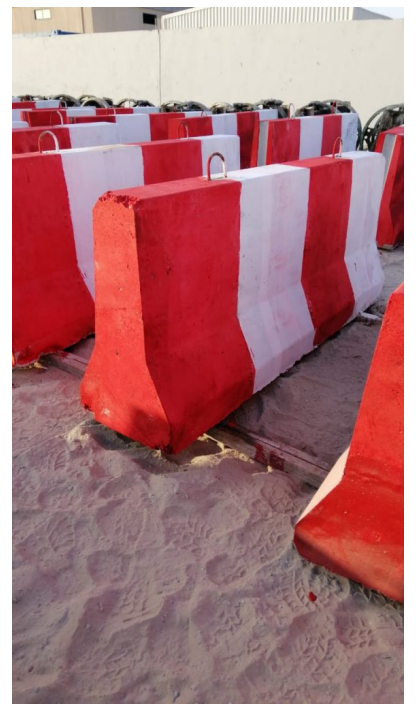
Cast from high strength concrete each of our Road Barrier blocks prevents unwanted entry whilst their unique design ensures minimal vehicle damage in the case of accidental head-on collisions.



CONCRETE BARRIERS



BEAM
CONCRETE WORKS



Leading Manufacturer of Precast Concrete Road Barriers

Do you want to protect your property, construction site or industrial estate? Precast concrete road barriers from Beamconcretework can put an end to your woes. We've been committed to providing our customers with high-quality and long-lasting precast concrete road barriers. Our custom-made and made-to-order standard concrete road barriers are available in a variety of sizes, shapes, and colours to meet the needs of customers. We deliver precast concrete road barriers all across the UAE and other Gulf countries, including Oman, Bahrain, Kuwait, Saudi Arabia, and Qatar.

What Makes Us The #1 Choice for Concrete Road Barriers?

We are in the precast concrete business, Beamconcretework has become a household name when it comes to concrete road barriers. Our precast concrete barriers are an efficient and cost-effective way to secure buildings, private lands, industrial estates, and construction sites. We make a variety of barrier sizes from 1.0 m to 6.0 m concrete barrier and provide both rental and purchase options.

Can't Maintain or Keep Concrete Road Barriers Go For A Rental!

Beamconcretework offers cost-effective solutions for concrete road barriers on rental to meet your targeted budget and hassle-free solutions to prevent storage and dumping of barriers after your job, event ends. No worries! Our concrete road barrier on rent from a few days to a couple of months, you decide the duration of usage!

Delivery and installation services are available throughout the United Arab Emirates and in a timely manner.

We can make cost-effective barricades that meet your needs, including shipping, offloading, and installation across the country.

We manufacture and deliver all types of concrete road barriers.

Beamconcretework offers all types and sizes of concrete road barriers. Concrete road barriers are mostly used for the following purposes:

- Construction site security
- Traffic management
- Protection of vacant properties
- Restricting vehicle access
- Protecting pedestrian walkways

Buy or Hire? You Decide!

A concrete barrier hire service is also available for short-term access control or site protection. You may either buy or hire. The barriers can be delivered and installed at any location by our transportation team.

A crane-mounted truck or our all-terrain vehicle-mounted forklifts are commonly used for the installation of concrete barriers blocks. As part of our off-load service, we weld the blocks together and attach the steel fence panels to the blocks, as well.

Crash-tested TVCB barriers are available upon request in lieu of our concrete barriers, which were never intended to be utilized as car crash barriers in the first place. The most cost-effective product will be recommended by our product experts if you aren't sure what size barrier is appropriate for your project.

Precast concrete barrier blocks are no exception; if you're interested in our design and installation services for these blocks, please get in touch with us.



B E A M
CONCRETE WORKS

+971 55 7830774

INFO@BEAMCONCRETEWORKS.COM | WWW.BEAMCONCRETEWORKS.COM

EMIRATES MODERN INDUSTRIAL AREA

UMM AL QUAWAIN - U.A.E